

## Avision FB6380E Flatbed Scanner User Guide

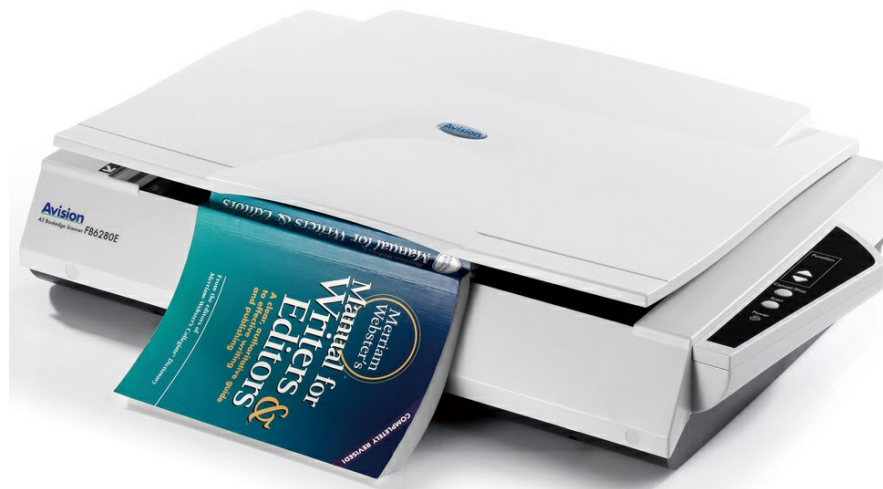
[Home](#) » [Avision](#) » Avision FB6380E Flatbed Scanner User Guide 

### Contents

- [1 Avision FB6380E Flatbed Scanner](#)
- [2 Product Information](#)
- [3 Usage Instructions](#)
- [4 Package Contents](#)
- [5 Install the Scanner](#)
- [6 Connect to Power](#)
- [7 Connect to Computer](#)
- [8 Install the Software](#)
- [9 Start a Scan](#)
- [10 European Union Regulatory Notice](#)
- [11 Documents / Resources](#)
  - [11.1 References](#)
- [12 Related Posts](#)

# Avision

**Avision FB6380E Flatbed Scanner**



## Product Information

The Flatbed Scanner is a device used to scan documents and images. It is designed to provide high-quality scanning capabilities for both personal and professional use.

## Package Contents

- Flatbed Scanner
- Power cord
- USB cable
- Installation CD
- User Manual

## Installation

1. Connect the power cord to the scanner and plug it into a power outlet.
2. Connect one end of the USB cable to the scanner and the other end to your computer.
3. Download and run the [Avision Update] software from [www.avision.com/install](http://www.avision.com/install) to install the necessary drivers and software.
4. Agree to the terms and conditions and proceed with the installation.
5. Once the installation is complete, you are ready to start using the scanner.

## Usage Instructions

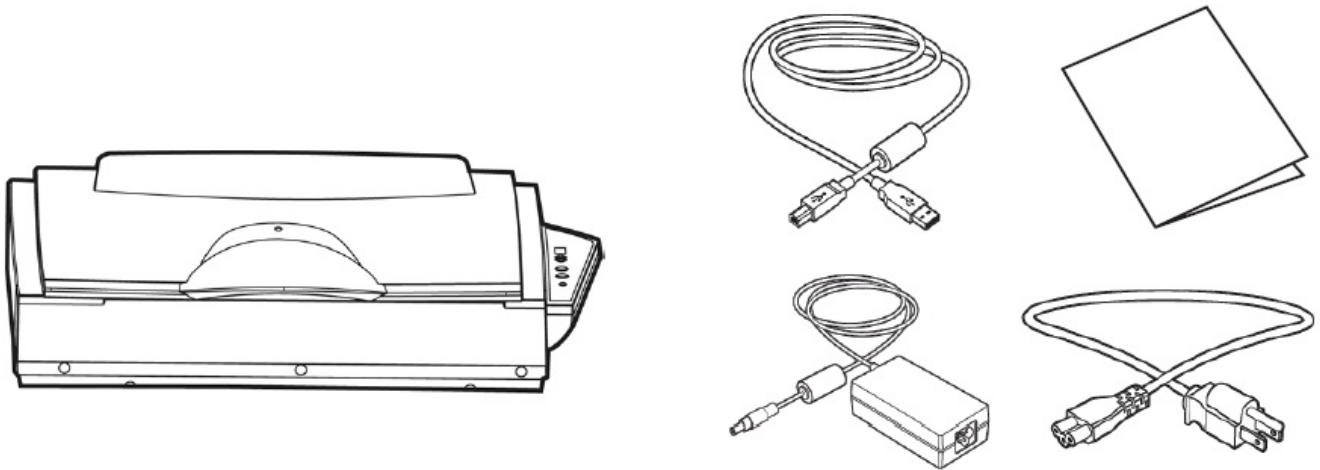
1. To start a scan, place the document or image you want to scan on the flatbed surface of the scanner.
2. Open the scanning software on your computer.
3. Select the desired scanning options such as resolution, color mode, and file format.
4. Click on the "Scan" button to initiate the scanning process.
5. Wait for the scanner to complete the scan and save the scanned document or image to your computer.
6. If you need further assistance or information, refer to the user manual or visit [www.avision.com/download](http://www.avision.com/download) for driver and manual downloads.

## European Union Regulatory Notice

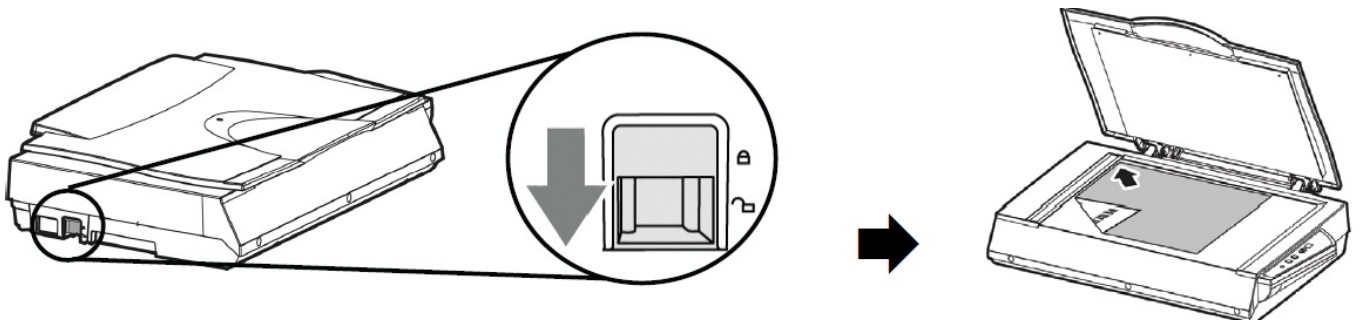
Products bearing the CE marking comply with the following EU Directives:

- Low Voltage Directive 2014/35/EC
- EMC Directive 2014/30/EC
- Restriction of the use of certain hazardous substances (RoHS) Directive 2011/65/EU

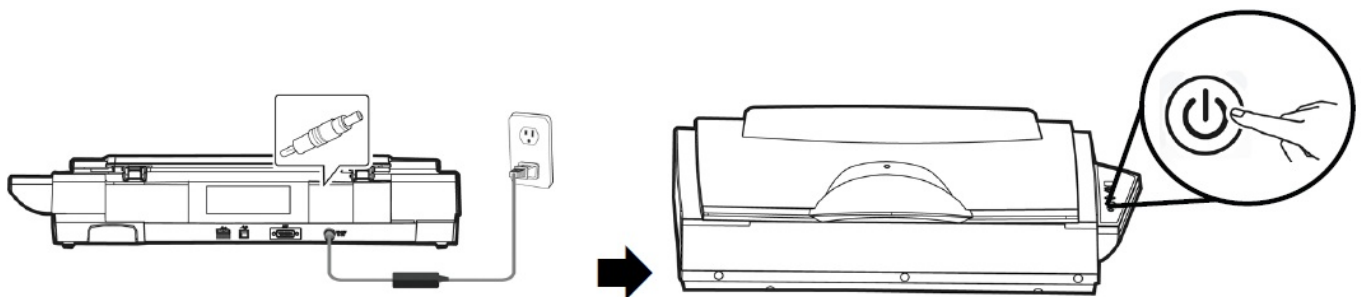
## Package Contents



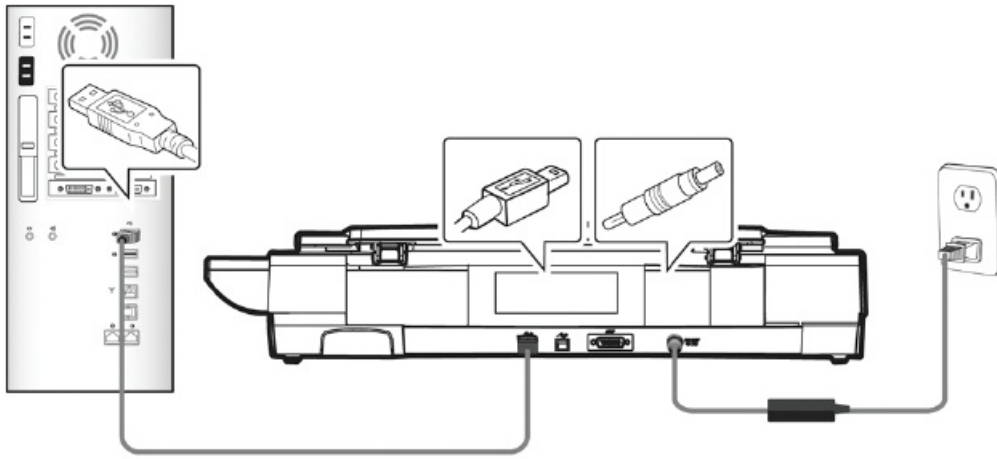
## Install the Scanner



## Connect to Power

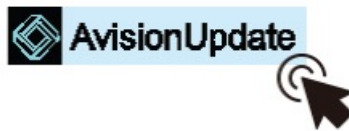


## Connect to Computer

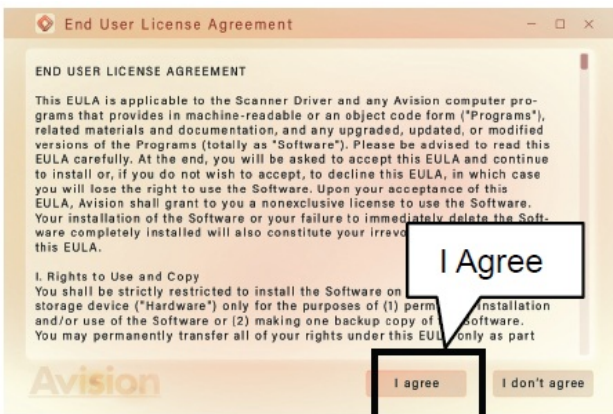


## Install the Software

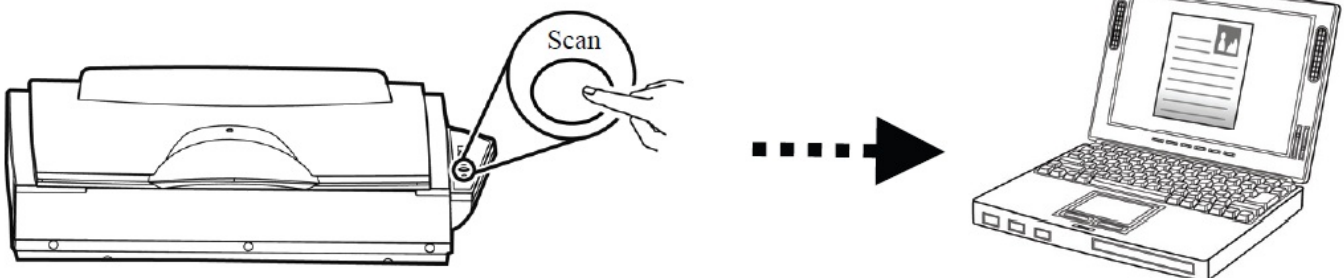
Download and run [Avison Update] at [www.avision.com/install](http://www.avision.com/install).



## Install Driver/Button Manager V2



## Start a Scan



Download Driver/Manual at [www.avision.com/download](http://www.avision.com/download).



Enter a model name or select a product to find drivers, manuals, warranty information and more.

## European Union Regulatory Notice

Products bearing the CE marking comply with the following EU Directives:

- Low Voltage Directive 2014/35/EC
- EMC Directive 2014/30/EC
- Restriction of the use of certain hazardous substances (RoHS) Directive 2011/65/EU

[www.avision.com](http://www.avision.com).

## Documents / Resources

	<p><a href="#">Avison FB6380E Flatbed Scanner</a> [pdf] User Guide 8-FB6380E-ALL, FB6380E Flatbed Scanner, Flatbed Scanner, Scanner</p>
--	---

## References

- [A Download - Avison EN](#)
- [A Avison Update for Windows - Avison EN](#)